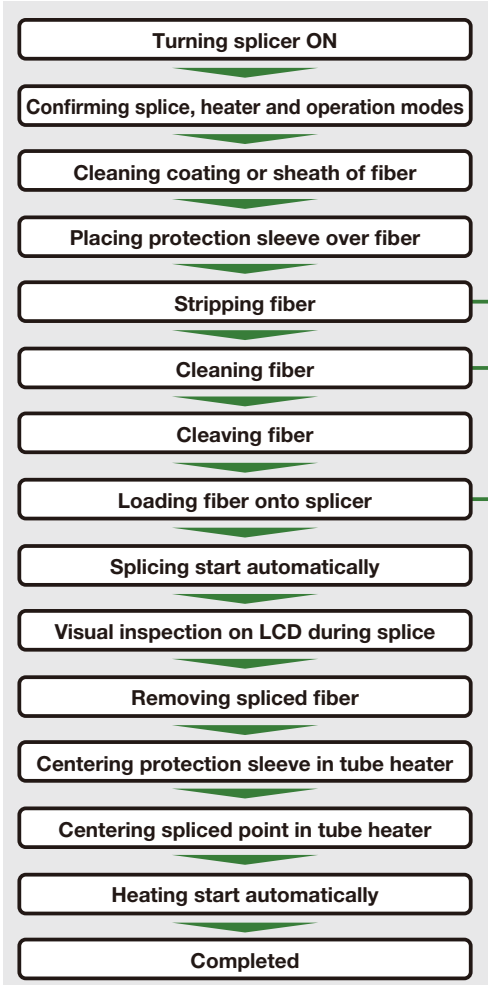


## Splicing Operation



- When splicing only standard SM fibers (ITU-T G.652), “SM AUTO” mode is recommended.
- When splicing different types of fibers, “AUTO” mode is recommended, but splice speed is slow.



- Hold lid firmly
- Free of any gel residue
- Make sure the stripped fiber is free of coating debris or contamination.
- Use only 99% or better purity alcohol.

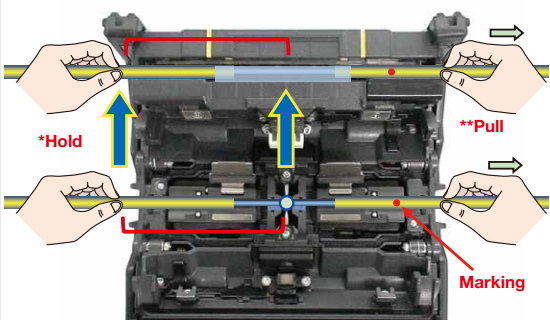


- Hold this point firmly



### Placing Fiber Holder

Do not reverse Fiber Holder when placing onto splicer. Set in the direction which sees from the sheet key side and can read the name of a holder.



- Note**
- \*Hold the fiber at edge of splicer body
  - \*\*Apply tension to the fiber until heater cover closes completely.

**When using single holder**

Adjusting the position of the fiber coating edge to holder edge

- When splicer indicates following message, splice loss may be high
- “Arc discharge is not stable. Electrodes should be stabilized to reform the arc discharge.”
- Load prepared SM fibers onto splicer in order to stabilize electrodes. After completing it, re-splice fibers.
- When an altitude changes drastically, stabilizing electrodes must be executed before splicing.

## How to use Keypad

**ON/OFF Key**  
• Power ON/OFF

**ARC Key**  
• Arc

**X/Y Key**  
• Switch X/Y images

**HEAT Key**  
• Heat Cancel  
• Operation of a lid

**RESET Key**  
• Stop and back to Ready

**SET Key**  
• Execute Splice

**ESCAPE Key**  
• Return to previous screen

**MENU Key**  
• Open Main Menu  
• Go to next page

**UP/DOWN Key**  
• Move cursor  
• Change value

**ENTER Key**  
• Enter of value

• Operation of a Wind Protector

➤ **Turning ON**  
Press key until **green** LED turns on.

➤ **Turning OFF**  
Press key until **red** LED turns on.

## Power Supply

### AC Adapter

**DC operation**

- Input power : DC12V
- Use only supplied DC power cord.

**AC operation**

- Input power : AC100-240V, 50-60Hz
- Use only supplied AC power cord.
- Connect to ground with ground terminal of AC power cord.
- When using a AC power generator, check output voltage periodically with a circuit tester.

### Battery Pack

#### How to recharge Battery Pack

- ◆ Connect AC adapter (ADC-18) and battery pack (BTR-09) with battery recharge cord (DCC-18).
- ◆ Do not stack battery pack on top of AC adapter while recharging.
- ◆ Recharging temperature: 0~40°C (32~104°F)

Recharge by DC is also possible

#### How to check remaining capacity

**Note** Confirm power saving function is working when using battery

## Cleaning before Splice Operation

### V-grooves



- Clean bottom of V-groove with a thin cotton swab moistened with alcohol.
- Remove excess alcohol from V-grooves with a clean dry swab.
- Use a cleaved fiber end-face to dislodge.

Caution of cleaning

- Do not contact the electrode tips.
- Use only 99% or better purity of alcohol.

### Fiber Clamp Chips



### Objective Lens



When lens is dirty, clean it.

### Fiber Cleaver

- Clean rubber pads.
- Clean rubber anvil.
- Clean blade.



## Replace Electrodes

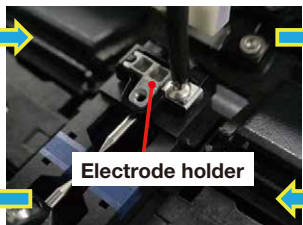
### Electrodes

- When “Replace electrodes” message appears, or when the tip is damaged, replace electrodes.
- Execute [Replace Electrodes] in Maintenance Menu.
- Exchange for a new electrode the old electrode currently attached to equipment. Use attached screw driver (SD-01).

Remove the electrode cover

Loosen screws

Remove the old electrode



Electrode holder

Place the electrode cover

Tighten screws

Install new electrode

- Load prepared fibers onto the splicer.
- Execute [Stabilized Electrodes]
- [Arc Calibration] is executed.

## Ways of Solution of an Error

Error Message	Reason	Solution
Too Long Fiber	<ul style="list-style-type: none"> <li>The fiber end-face is placed on the electrode centerline, or beyond it.</li> <li>The cleave length (bare fiber part) is too long</li> <li>Dust or dirt is on the objective lens.</li> </ul>	<ul style="list-style-type: none"> <li>Press <b>[RESET]</b>, and set the fiber end-face between the electrode centerline and the V-groove edge.</li> <li>Confirm the setting position of the stripped fiber end on the fiber cleaver. Check the cleave length.</li> <li>Execute the <b>[Dust Check]</b>. Clean the lens when dust or dirt exists.</li> </ul>
Too Dusty Fiber	<ul style="list-style-type: none"> <li>Dust or dirt is on the fiber surface.</li> <li>Dust or dirt is on the objective lens.</li> <li><b>[Cleaning Arc]</b> time is too short or "OFF."</li> </ul>	<ul style="list-style-type: none"> <li>Completely prepare the fiber again (strip, clean and cleave).</li> <li>Execute the <b>[Dust Check]</b>. Clean the lens if dust or dirt exists.</li> <li>Set the <b>[Cleaning Arc]</b> time to "150ms." When splicing carbon coated fibers, set to "200ms."</li> </ul>
ZL/ZR Motor Overrun	<ul style="list-style-type: none"> <li>The fiber is set too far back and does not reach the splice point.</li> <li>The fiber is not set correctly at the bottom of the V-groove. The fiber is not located in the Camera's field of view.</li> <li>The cleave length (bare fiber part) is too short.</li> </ul>	<ul style="list-style-type: none"> <li>Press <b>[RESET]</b>, re-position the fiber again with the end-face closer to the electrodes.</li> <li>Press <b>[RESET]</b>, and set the fiber again to seat it correctly at the bottom of the V-groove.</li> <li>Confirm the setting position of the stripped fiber end on the fiber cleaver. Check the cleave length.</li> </ul>
Large Cleave Angle	<ul style="list-style-type: none"> <li>Bad fiber end-face.</li> <li><b>[Cleave Limit]</b> is set too low</li> </ul>	<ul style="list-style-type: none"> <li>Check the condition of the fiber cleaver. If the blade is worn, rotate the blade to a new position.</li> <li>Increase the <b>[Cleave Limit]</b> to an adequate limit.</li> </ul>
Cleave Shape NG	<ul style="list-style-type: none"> <li>Bad fiber end-face.</li> </ul>	<ul style="list-style-type: none"> <li>Check the condition of the fiber cleaver. If the blade is worn, rotate the blade to a new position.</li> </ul>

## Contact Address

<b>Fujikura Ltd.</b>	1-5-1 Kiba, Koto-ku, Tokyo 135-8512 Japan Phone : +81-3-5606-1131      Fax : +81-3-5606-1528 <a href="http://www.fujikura.co.jp">http://www.fujikura.co.jp</a>
<b>Fujikura (CHINA) Co., Ltd.</b>	7 <sup>th</sup> Floor, Shanghai Hang Seng Bank Tower 1000Lujiazui Ring Road, Pudong New Area Shanghai ZIP200120, China Phone : +86-21-6841-3636      Fax : +86-21-6841-2070 <a href="http://www.fujikura.com.cn">http://www.fujikura.com.cn</a>
<b>Fujikura Asia Ltd.</b>	438A Alexandra Road, #08-03 Blk A Alexandra Techno Park, SINGAPORE, 119967 Phone : +65-6-2711312      Fax : +65-6-2780965 <a href="http://www.fujikura.com.sg">http://www.fujikura.com.sg</a>
<b>Fujikura Europe Ltd.</b>	C51 Barwell Business Park, Leatherhead Road, Chessington, Surrey KT9 2NY England Phone : +44-20-8240-2000      Fax : +44-20-8240-2010 <a href="http://www.fujikura.co.uk">http://www.fujikura.co.uk</a>
<b>AFL Telecommunications</b>	260 Parkway East, Duncan, SC 29334 USA Phone : +1-800-235-3423      Fax : +1-864-433-5560 <a href="http://www.AFLglobal.com">http://www.AFLglobal.com</a>

URL: <http://www.fusionsplicer.fujikura.com>